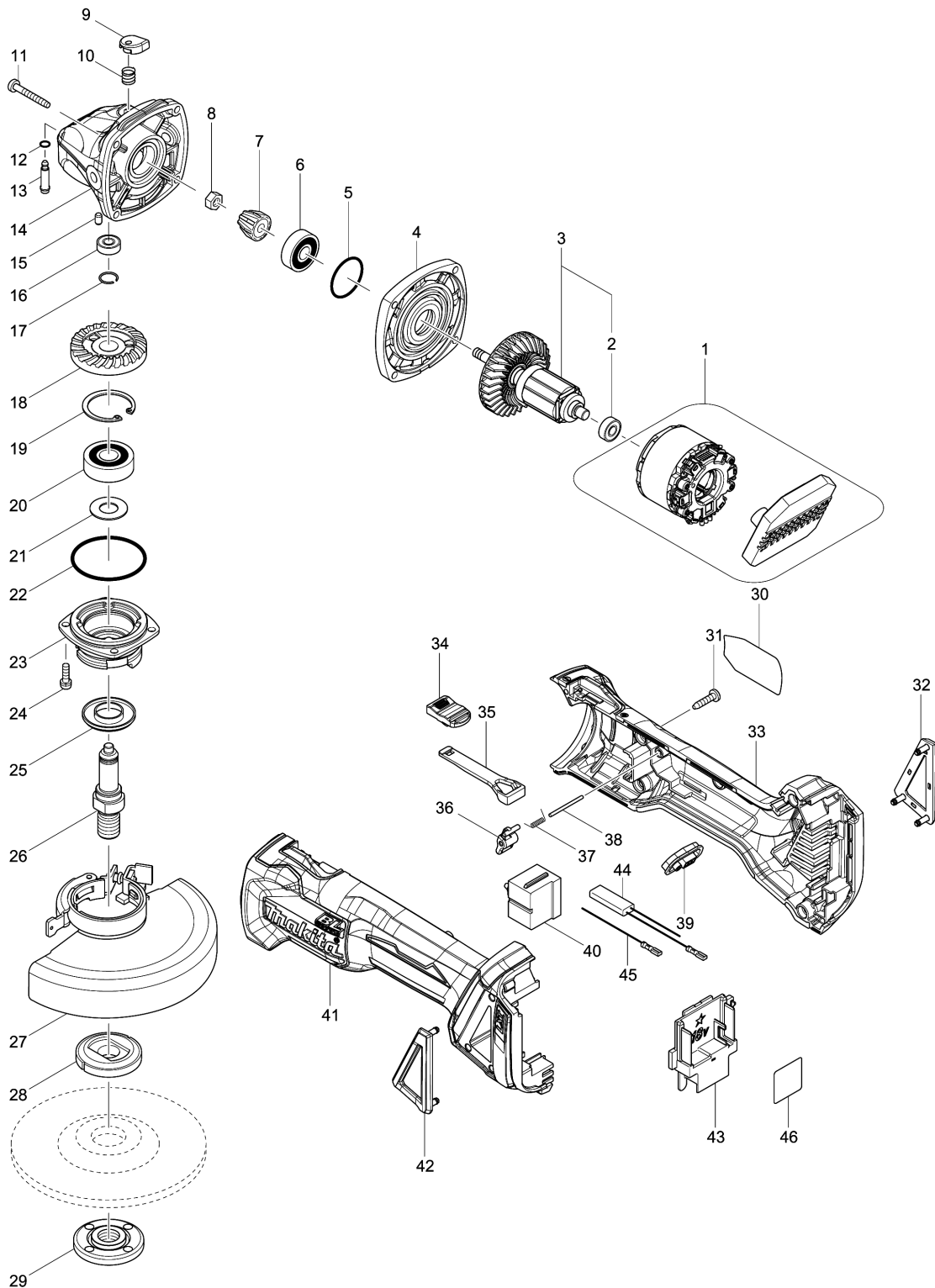


Model No.DGA504 125MM CORDLESS ANGLE GRINDER



Model No.DGA504 125MM CORDLESS ANGLE GRINDER

| Položaj | Številka dela | Opis | Sprememba | Količina | New/Old | Opcijsko 1 | Opcijsko 2 | Opomba |
|---------|---------------|---------------------------------------|-----------|----------|---------|------------|------------|--------|
| 001B | 629140-1 | STATOR COMPLETE | | 1 | * | | | |
| C10 | 688131-1 | Linijski filter za enosmerno napetost | | 1 | * | | | |
| 001C | 629140-1 | STATOR COMPLETE | | 1 | * | | | |
| C10 | 688131-1 | Linijski filter za enosmerno napetost | | 1 | * | | | |
| 001E | 629140-1 | STATOR COMPLETE | | 1 | * | | | |
| C10 | 688131-1 | Linijski filter za enosmerno napetost | | 1 | * | | | |
| 001G | 629140-1 | STATOR COMPLETE | | 1 | * | | | |
| C10 | 688131-1 | Linijski filter za enosmerno napetost | | 1 | * | | | |
| 001-1B | 629173-6 | STATOR COMPLETE | S | 1 | * | | | |
| C10 | 688131-1 | Linijski filter za enosmerno napetost | | 1 | * | | | |
| 001-1C | 629173-6 | STATOR COMPLETE | S | 1 | * | | | |
| C10 | 688131-1 | Linijski filter za enosmerno napetost | | 1 | * | | | |
| 001-1E | 629173-6 | STATOR COMPLETE | S | 1 | * | | | |
| C10 | 688131-1 | Linijski filter za enosmerno napetost | | 1 | * | | | |
| 001-1G | 629176-0 | STATOR COMPLETE | O | 1 | * | | | |
| 001-1J | 629173-6 | STATOR COMPLETE | | 1 | * | | | |
| C10 | 688131-1 | Linijski filter za enosmerno napetost | | 1 | * | | | |
| 001-2B | 629176-0 | STATOR COMPLETE | O | 1 | * | | | |
| 001-2C | 629176-0 | STATOR COMPLETE | O | 1 | * | | | |
| 001-2E | 629176-0 | STATOR COMPLETE | O | 1 | * | | | |
| 001-2G | 629173-6 | STATOR COMPLETE | O | 1 | | | | |
| 001-2J | 629176-0 | STATOR COMPLETE | O | 1 | * | | | |
| 001-2M | 629176-0 | STATOR COMPLETE | | 1 | * | | | |
| 001-3B | 629173-6 | STATOR COMPLETE | O | 1 | | | | |
| 001-3C | 629173-6 | STATOR COMPLETE | O | 1 | | | | |
| 001-3E | 629173-6 | STATOR COMPLETE | O | 1 | | | | |
| 001-3J | 629173-6 | STATOR COMPLETE | O | 1 | | | | |
| 001-3M | 629173-6 | STATOR COMPLETE | O | 1 | | | | |
| 002 | 210034-7 | Kroglični ležaj 607LLB GA5030 | | 1 | * | | | |
| 002-1 | 210169-4 | BALL BEARING 607LLB | < | 1 | | | | |
| 003B | 519354-9 | ROTOR ASS'Y | | 1 | * | | | |
| D10 | | INC. 2 | | | * | | | |
| 003C | 519354-9 | ROTOR ASS'Y | | 1 | * | | | |
| D10 | | INC. 2 | | | * | | | |
| 003E | 519354-9 | ROTOR ASS'Y | | 1 | * | | | |
| D10 | | INC. 2 | | | * | | | |
| 003-1B | 519378-5 | ROTOR ASS'Y | O | 1 | * | | | |
| D10 | | INC. 2 | | | * | | | |

Please order the parts with part number.

Print Date 28/10/2020

Model No.DGA504 125MM CORDLESS ANGLE GRINDER

| Položaj | Številka dela | Opis | Sprememba | Količina | New/Old | Opcijsko 1 | Opcijsko 2 | Opomba |
|---------|---------------|---|-----------|----------|---------|------------|------------|--------|
| 003-1C | 519378-5 | ROTOR ASS'Y | O | 1 | * | | | |
| D10 | | INC. 2 | | | * | | | |
| 003-1E | 519378-5 | ROTOR ASS'Y | O | 1 | * | | | |
| D10 | | INC. 2 | | | * | | | |
| 003-1G | 519378-5 | ROTOR ASS'Y | | 1 | * | | | |
| D10 | | INC. 2 | | | * | | | |
| 003-1J | 519378-5 | ROTOR ASS'Y | | 1 | * | | | |
| D10 | | INC. 2 | | | * | | | |
| 003-1M | 519378-5 | ROTOR ASS'Y | | 1 | * | | | |
| D10 | | INC. 2 | | | * | | | |
| 003-2 | 510329-1 | ROTOR ASS'Y | < | 1 | | | | |
| D10 | | INC. 2 | | | | | | |
| 004 | 319214-3 | GEAR HOUSING COVER | | 1 | | | | |
| 005 | 213445-5 | O tesnilo 26 | | 1 | * | | | |
| 005-1 | 213407-3 | O tesnilo 26 | O | 1 | | | | |
| 006 | 210042-8 | Kroglični ležaj 629LLB 9556NB | | 1 | | | | |
| 007 | 227541-3 | Spiralno stožčasti zobnik 10, 9558HN | | 1 | * | | | |
| 007-1 | 226861-2 | SPIRAL BEVEL GEAR 10 | S | 1 | | | | |
| 008 | 252186-8 | Šesterokotna matica M6 | | 1 | | | | |
| 009 | 417771-6 | Gumb blokirnega zatiča | | 1 | | | | |
| 010 | 233072-2 | Tlačna spiralna vzmet 8 | | 1 | | | | |
| 011 | 266361-0 | Samovrezni vijak 4x30 | | 4 | | | | |
| 012 | 213960-9 | O tesnilo 5 | | 1 | | | | |
| 013 | 256546-6 | Shoulder pin 4 | | 1 | | | | |
| 014 | 319213-5 | GEAR HOUSING | | 1 | | | | |
| 015 | 263002-9 | Gumi zatič 4 | | 1 | | | | |
| 016 | 210033-9 | Kroglični ležaj 696ZZ GA4030 | | 1 | | | | |
| 017 | 233950-6 | Vzmetna podložka 11 | | 1 | | | | |
| 018 | 227641-9 | SPIRAL BEVEL GEAR 37 | | 1 | * | | | |
| 018-1 | 226862-0 | SPIRAL BEVEL GEAR 37 | S | 1 | | | | |
| 019 | 962151-6 | Zaščitni obroč R-32 GA4030 | | 1 | | | | |
| 020 | 211129-9 | Kroglični ležaj 6201DDW 9556NB | | 1 | | | | |
| 021 | 267113-2 | Ploska podložka 12 | | 1 | | | | |
| 022 | 213622-9 | O Tesnilo 45 | | 1 | | | | |
| 023 | 318331-6 | Ležajno ohišje 9558NB | | 1 | | | | |
| 024 | 911121-2 | Vijak z nizko cilindrično glavo M4x14 | | 4 | | | | |
| 025 | 345464-4 | Labirintni gumi obroč | | 1 | | | | |
| 026 | 324954-0 | Osovina | | 1 | | | | |
| 027 | 123145-8 | Zaščitni pokrov brusilne plošče 125AK GA5040 | | 1 | | | | |

Please order the parts with part number.

Print Date 28/10/2020

Model No.DGA504 125MM CORDLESS ANGLE GRINDER

| Položaj | Številka dela | Opis | Sprememba | Količina | New/Old | Opcijsko 1 | Opcijsko 2 | Opomba |
|---------|---------------|---------------------------------------|-----------|----------|---------|------------|------------|--------|
| C10 | 213009-5 | O tesnilo 4 | | 1 | | | | |
| C20 | 265180-1 | Vijak z nizko cilindrično glavo M5x16 | | 1 | | | | |
| 028B | 224415-9 | Notranja prirobnica 42 | | 1 | * | | | |
| 028C | 224415-9 | Notranja prirobnica 42 | | 1 | * | | | |
| 028E | 224415-9 | Notranja prirobnica 42 | | 1 | * | | | |
| 028G | 224415-9 | Notranja prirobnica 42 | | 1 | * | | | |
| 028J | 224415-9 | Notranja prirobnica 42 | | 1 | * | | | |
| 028-1B | 224490-5 | INNER FLANGE 14-45 | O | 1 | * | | | |
| 028-1C | 224490-5 | INNER FLANGE 14-45 | O | 1 | * | | | |
| 028-1E | 224490-5 | INNER FLANGE 14-45 | O | 1 | * | | | |
| 028-1G | 224490-5 | INNER FLANGE 14-45 | O | 1 | * | | | |
| 028-1J | 224490-5 | INNER FLANGE 14-45 | O | 1 | * | | | |
| 028-2B | 224415-9 | Notranja prirobnica 42 | O | 1 | | | | |
| 028-2C | 224415-9 | Notranja prirobnica 42 | O | 1 | | | | |
| 028-2E | 224415-9 | Notranja prirobnica 42 | O | 1 | | | | |
| 028-2G | 224415-9 | Notranja prirobnica 42 | O | 1 | | | | |
| 028-2J | 224415-9 | Notranja prirobnica 42 | O | 1 | | | | |
| 028-2M | 224415-9 | Notranja prirobnica 42 | | 1 | | | | |
| 029 | 224554-5 | Zatezna matica 14-45 new | | 1 | | | | |
| 030 | 850J42-2 | DGA504 NAME PLATE | | 1 | | | | |
| 031 | 266326-2 | Pločevinasti vijak 4x18 UB1103 | | 5 | | | | |
| 032 | 455450-8 | DUST COVER R | | 1 | | | | |
| 033 | 187998-9 | MOTOR HOUSING SET | | 1 | | | | |
| C10 | 263005-3 | Gumi zatič 6 | | 2 | | | | |
| D10 | | INC. 41 | | | | | | |
| 034 | 455447-7 | SWITCH KNOB | | 1 | | | | |
| 035 | 455446-9 | SWITCH LEVER | | 1 | | | | |
| 036 | 455448-5 | LEVER | | 1 | | | | |
| 037 | 231679-8 | TORSION SPRING 2 | | 1 | | | | |
| 038 | 268330-7 | PIN 2 | | 1 | | | | |
| 039 | 142901-7 | INDICATOR PANEL COMPLETE | | 1 | | | | |
| 040 | 650579-7 | Stikalo 1246.3223 | | 1 | | | | |
| 041 | 187998-9 | MOTOR HOUSING SET | | 1 | | | | |
| C10 | 263005-3 | Gumi zatič 6 | | 2 | | | | |
| D10 | | INC. 33 | | | | | | |
| 042 | 455449-3 | DUST COVER L | | 1 | | | | |
| 043 | 643899-6 | TERMINAL | | 1 | | | | |
| 044B | 632E34-1 | RESISTOR UNIT | | 1 | * | | | |
| 044C | 632E34-1 | RESISTOR UNIT | | 1 | * | | | |
| 044E | 632E34-1 | RESISTOR UNIT | | 1 | * | | | |
| 045B | 632E33-3 | LEAD UNIT | | 1 | * | | | |

Please order the parts with part number.

Print Date 28/10/2020

Model No.DGA504 125MM CORDLESS ANGLE GRINDER

| Položaj | Številka dela | Opis | Sprememba | Količina | New/Old | Opcijsko 1 | Opcijsko 2 | Opomba |
|---------|---------------|---|-----------|----------|---------|------------|------------|--------|
| 045C | 632E33-3 | LEAD UNIT | | 1 | * | | | |
| 045E | 632E33-3 | LEAD UNIT | | 1 | * | | | |
| 046 | 850J49-8 | DGA504 SERIAL NO. LABEL | | 1 | | | | |
| A01 | A-80656 | Brusni disk za inox 125x6x22,23mm | | 1 | | | | |
| A02 | 158237-4 | GRIP 36 COMPLETE | | 1 | | | | |
| A03 | 782423-1 | Zatični montažni ključ 35 GA4530 | | 1 | | | | |
| A04C | ***DC18RC | DC18RC FAST CHARGER | | 1 | | | | |
| A04E | ***DC18RC | DC18RC FAST CHARGER | | 1 | | | | |
| A04G | ***DC18RC | DC18RC FAST CHARGER | | 1 | | | | |
| A04J | ***DC18RC | DC18RC FAST CHARGER | | 1 | | | | |
| A04M | ***DC18RC | DC18RC FAST CHARGER | | 1 | | | | |
| A05C | 194204-5 | Baterija Li-Ion, 18V/3,0Ah | | 2 | * | | | |
| A05-1C | 194204-5 | Baterija Li-Ion, 18V/3,0Ah | O | 2 | * | | | |
| A05-1E | 196399-0 | AKU baterija 18V 4.0Ah BL1840 Li-Ion | | 2 | * | | | |
| A05-1G | 194204-5 | Baterija Li-Ion, 18V/3,0Ah | | 3 | * | | | |
| A05-2C | 197600-6 | BATTERY BL1830B SET | < | 2 | * | | | |
| A05-2E | 197265-4 | BATTERY BL1840B SET | < | 2 | * | | | |
| A05-2G | 197600-6 | BATTERY BL1830B SET | < | 3 | * | | | |
| A05-2J | 197280-8 | BATTERY BL1850B SET | | 2 | * | | | |
| A05-2M | 197280-8 | BATTERY BL1850B SET | | 3 | * | | | |
| A05-3C | 197600-6 | BATTERY BL1830B SET | O | 2 | | | | |
| A05-3E | 197265-4 | BATTERY BL1840B SET | O | 2 | | | | |
| A05-3G | 197600-6 | BATTERY BL1830B SET | O | 3 | | | | |
| A05-3J | 197280-8 | BATTERY BL1850B SET | O | 2 | | | | |
| A05-3M | 197280-8 | BATTERY BL1850B SET | O | 3 | | | | |
| A06C | 450128-8 | Pokrov za baterijo | | 1 | | | | |
| A06E | 450128-8 | Pokrov za baterijo | | 1 | | | | |
| A06G | 450128-8 | Pokrov za baterijo | | 2 | | | | |
| A06J | 450128-8 | Pokrov za baterijo | | 1 | | | | |
| A06M | 450128-8 | Pokrov za baterijo | | 2 | | | | |
| A07C | 821636-0 | PLASTIC CASE | | 1 | * | | | |
| C10 | 162315-4 | Zaponka | | 2 | * | | | |
| A07E | 821636-0 | PLASTIC CASE | | 1 | * | | | |
| C10 | 162315-4 | Zaponka | | 2 | * | | | |
| A07G | 821636-0 | PLASTIC CASE | | 1 | * | | | |
| C10 | 162315-4 | Zaponka | | 2 | * | | | |
| A07J | 821551-8 | Макpac kovček za prenašanje 395 x 295 x 210mm | | 1 | | | | |
| C10 | 453974-8 | Plastična zaponka za MAKPAC plastične kovček | | 4 | | | | |

Please order the parts with part number.

Print Date 28/10/2020

Model No.DGA504 125MM CORDLESS ANGLE GRINDER

| Položaj | Številka dela | Opis | Sprememba | Količina | New/Old | Opcijsko 1 | Opcijsko 2 | Opomba |
|---------|---------------|---|-----------|----------|---------|------------|------------|--------|
| A07M | 821551-8 | Макpac ковчек за пренаšanje 395 x 295 x 210mm | | 1 | | | | |
| C10 | 453974-8 | Plastična zaponka za MAKPAC plastične kovček | | 4 | | | | |
| A07-1C | 821734-0 | PLASTIC CASE | 0 | 1 | * | | | |
| C10 | 162315-4 | Zaponka | | 2 | * | | | |
| A07-1E | 821734-0 | PLASTIC CASE | 0 | 1 | * | | | |
| C10 | 162315-4 | Zaponka | | 2 | * | | | |
| A07-1G | 821734-0 | PLASTIC CASE | 0 | 1 | * | | | |
| C10 | 162315-4 | Zaponka | | 2 | * | | | |
| A07-2C | 821817-6 | PLASTIC CASE | 0 | 1 | | | | |
| C10 | 162315-4 | Zaponka | | 2 | | | | |
| A07-2E | 821817-6 | PLASTIC CASE | 0 | 1 | | | | |
| C10 | 162315-4 | Zaponka | | 2 | | | | |
| A07-2G | 821817-6 | PLASTIC CASE | 0 | 1 | | | | |
| C10 | 162315-4 | Zaponka | | 2 | | | | |
| A08J | 838175-3 | INNER TRAY | | 1 | | | | |
| A08M | 839252-4 | INNER TRAY | | 1 | | | | |
| A09J | 810M43-0 | DGA504RTJ INDICATION LABEL | | 1 | | | | |
| A09M | 812T94-1 | DGA504RT3J INDICATION LABEL | | 1 | | | | |
| A10J | 810M44-8 | DGA504RTJ PLASTIC CASE LABEL | | 2 | | | | |
| A10M | 812T95-9 | DGA504RT3J PLASTIC CASE LABEL | | 2 | | | | |
| A13 | 199710-5 | CUTTING W.C.A. 125 SET | | 1 | | | | |

Please order the parts with part number.

Print Date 28/10/2020